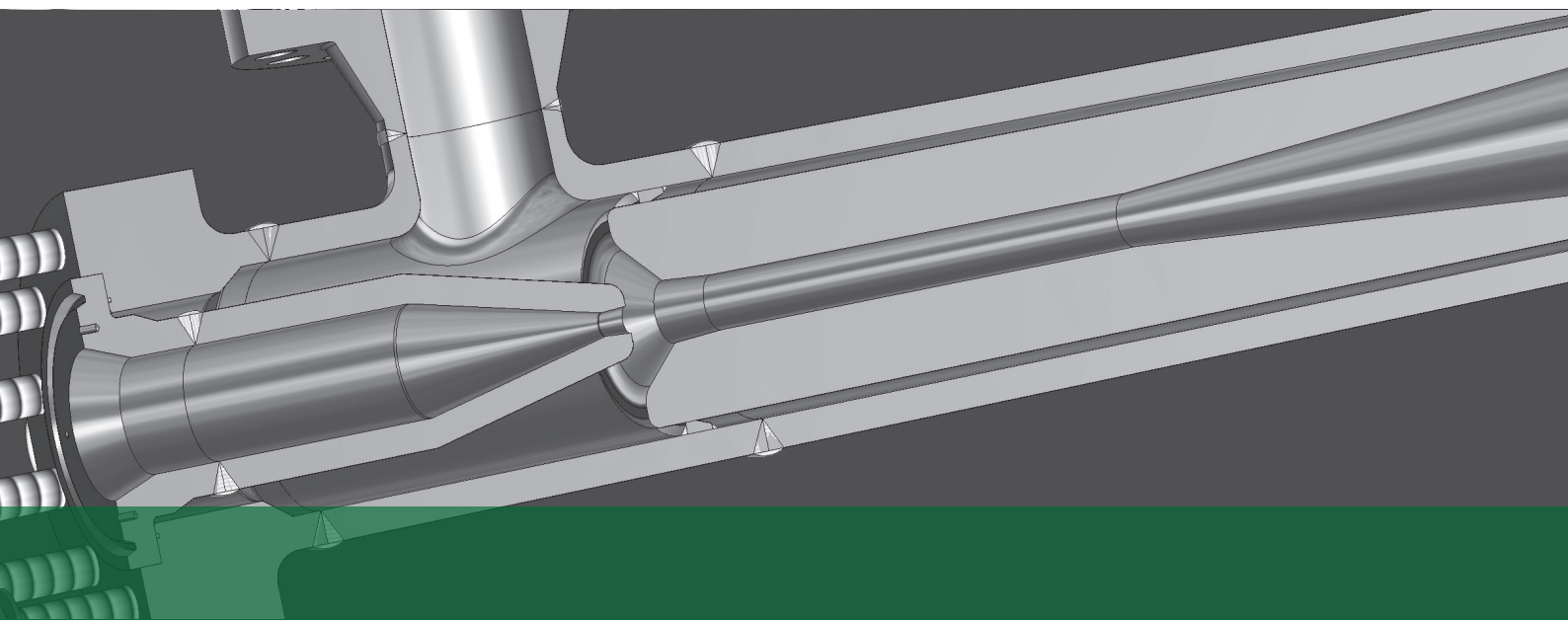


Air Pollution Control

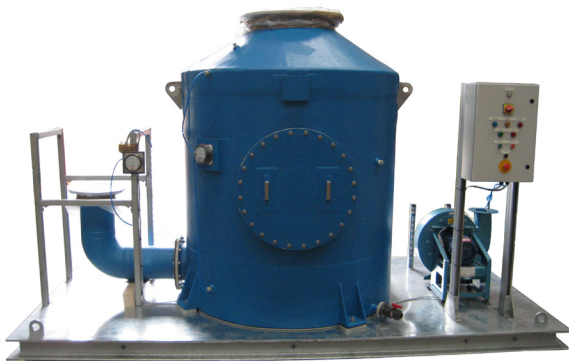


Transvac Air Pollution Control

Transvac are specialist suppliers of custom designed air pollution control systems covering a number of technologies. We offer a complete service including initial site investigation (to determine the best process solution), project management, supply of equipment and final commissioning.



Jet Tower System



Carbon Adsorber



Jet Scrubber System

Air Pollution Control Technologies:

Wet Scrubbing

- Packed Towers
- Jet Scrubbers
- Spray Towers

Activated Carbon Adsorption

- Virgin and impregnated systems

Thermal oxidisers

- RTOs, Recuperative and DFOs

Bio-filtration

- Passive and active media systems

Typical Applications:

Odour Control

- Sewage Treatment, Municipal Waste

VOC Abatement

- Pharmaceutical, Chemical, Synthetics

Acid Gas Scrubbing

- Chemical, Nuclear, MOD, Pharmaceutical

Solvent Recovery Systems

- Pharmaceutical, Chemical, Synthetics

Consultancy Services:

- Design Only Packages
- Troubleshooting of existing equipment (even if equipment is not by Transvac)
- Site / Process evaluations

Materials of Construction:

Typical materials of construction include:
Carbon Steel, Stainless Steel, Hastelloy, PTFE, PP, PVCu, GRP

Design Standards / Codes:

- BS 4994
- ASME VIII Div. 1
- PD 5500

Quality Assurance:

Transvac are accredited to ISO 9001:2015 and certified to module H of the PED.

Contact Us

Transvac Systems Ltd. Monsal House, 1 Bramble Way, Alfreton, Derbyshire, DE55 4RH, UK

Tel: +44 (0) 1773 831100 | **Email:** sales@transvac.co.uk | **Web:** www.transvac.co.uk

